

STANDARD WALL CABINETS

GENERAL INFORMATION

- Wall cabinets are 12" deep unless otherwise noted.
- Wall cabinets have interiors drilled for shelving that is $\frac{3}{4}$ " thick and fully adjustable.
- All cabinet interiors are covered with a maple vinyl, unless otherwise noted.
- Finished exposed end panels must be specified unless otherwise noted. Add \$36 list price for each finished side.
- When ordering custom size (or non-catalog) cabinetry, one dimension, either height or width, must be 42" or less due to manufacturing constraints.

OPTIONS

- Finished interiors are available on any wall cabinet, add \$402 to the list price of the cabinet (See page A18 for more details).
- Toe kick can be added to any wall cabinet, add \$72 to the list price of the cabinet. You must specify a $4\frac{1}{2}$ " high toe kick or a $3\frac{1}{2}$ " high toe kick. The toe kick adds to the overall height of the cabinet. Please note: when adding a toe in Designer Overlay the Wall door height will NOT line up with Base door height, you need to order a 12" Base Cabinet for that application.
- Factory installed soft close full extension slides are standard on all drawers and roll out trays.
- Soft Close is available on any door, add \$26 per door to the list price of the cabinet (See page A25 for more details).

STANDARD MODIFICATION INFORMATION

Modification	Charge	Maximum
Depth	<ul style="list-style-type: none"> • Up to 18" deep, List Price + 25%. • Over 18" deep, List Price + 35%. 	18" 27"
Height	<ul style="list-style-type: none"> • If a 3" increment, use the price of the next tallest cabinet. • If <i>not</i> a 3" increment, use the price of the next tallest cabinet of the same width + 25%. • If there is no next tallest cabinet add 25% to the tallest cabinet of the same width. 	60"
Width	<ul style="list-style-type: none"> • If a 3" increment, use the price of the next widest cabinet of the same height. • If <i>not</i> a 3" increment, List Price + 25% ~ or ~ use extended stiles (See page A9 for details). • If there is no next widest cabinet, add 25% to the widest cabinet of the same height. 	48" (with extended stiles, can be wider)
Please Note:	If your application does <i>not</i> fit the above parameters, please call Pioneer's Customer Service Department to check on availability and pricing.	

- **Box Only modification** 60% of the list price of the cabinet, includes shelves and drawers when applicable.
- **Front Only modification** 75% of the list price of the cabinet, includes the face frame and door.
- **Standard modifications** are *not* available on all cabinets. See the general notes for each cabinet to see what standard modifications are *not* available. If the standard modification desired is *not* available, the cabinet may be available but will require a Computer Aided Design (CAD) Shop Note drawn by Pioneer (see below).

CUSTOM MODIFICATION INFORMATION

- All custom cabinets will be subject to a \$221 Shop Note fee, unless you can supply a Pioneer drawn (CAD) copy of a Shop Note, for that exact cabinet, from a previous order.
- Call Pioneer's Customer Service department for quotes on special items *not* listed in this binder.

WALL CABINET SPECIFICATIONS

STANDARD WALL CABINET CONSTRUCTION INFO

Back

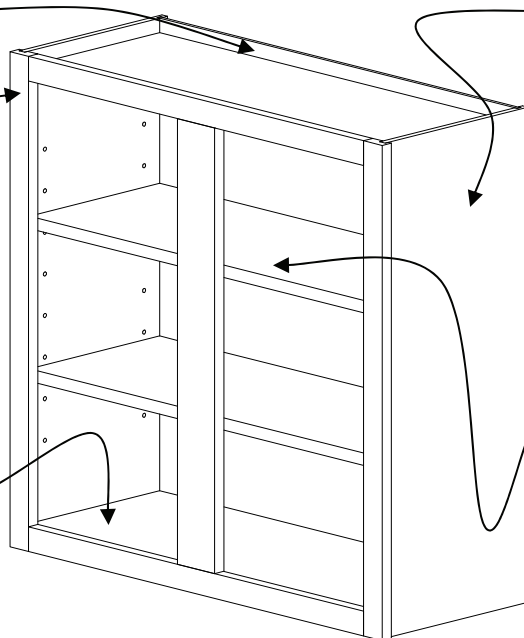
$\frac{1}{2}$ " engineered wood with a maple vinyl interior - installed in a dado in the side panels and is the full height of the cabinet. Includes a $\frac{5}{16}$ " x $3\frac{1}{2}$ " installation nailer at the top and bottom.

Face frame

$\frac{3}{4}$ " hardwood of choice pocket screwed together.

Top and Bottom

$\frac{1}{2}$ " engineered wood with a maple vinyl interior and exterior - installed in a dado in the side panels and face



Side

$\frac{1}{2}$ " engineered wood with a maple vinyl interior - dadoed for the top, bottom and back, installed in a dado in the face frame.

Finished sides will be $\frac{3}{8}$ " engineered wood with a 2 mil thick veneer exterior of the selected species, finished to match.

Adjustable Shelves

$\frac{3}{4}$ " engineered wood with maple vinyl and edgebanded - adjustable with plastic shelf clips. (See cabinet details for number and location of shelves and exceptions).

PLYWOOD WALL CABINET CONSTRUCTION INFO

Back

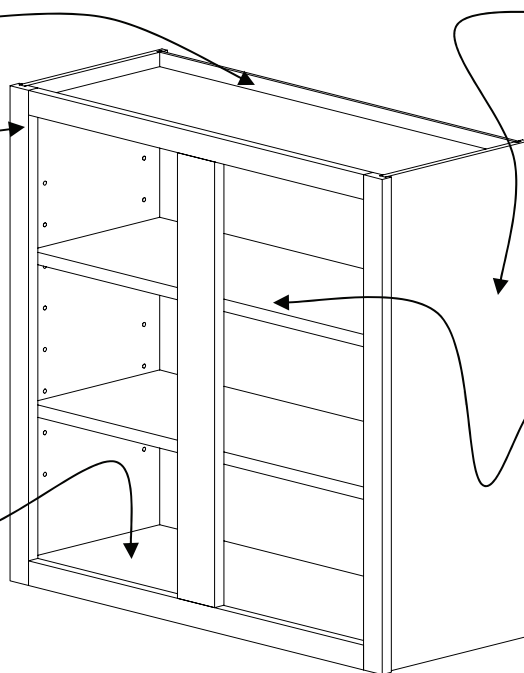
Flush $\frac{1}{2}$ " plywood with a UV coated white hardwood maple veneer interior - installed into a dado in the side panels and is the full height of the cabinet.

Face frame

$\frac{3}{4}$ " hardwood of choice pocket screwed together.

Top and Bottom

$\frac{1}{2}$ " plywood with a UV coated white hardwood maple veneer interior and exterior - installed into a dado in the side panels and the face frame.



Side

$\frac{1}{2}$ " plywood with a UV coated white hardwood maple veneer interior - dadoed for the top, bottom and back, installed into a dado in the face frame.

Finished sides will be $\frac{1}{2}$ " plywood with a 2 mil thick veneer exterior of the selected species, finished to match.

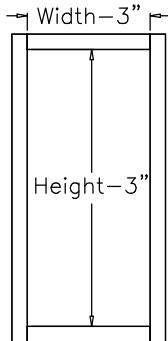
Adjustable Shelves

$\frac{3}{4}$ " plywood with a UV coated white hardwood maple veneer and edgebanded - adjustable with plastic shelf clips. (See cabinet details for number and location of shelves and exceptions).

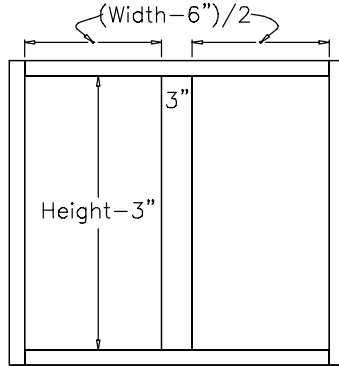
STANDARD WALL CABINET OPENING INFORMATION

- Openings on standard Pioneer wall cabinets are 3" smaller than the overall size of the cabinet.
- See the information below for exact specifications. Examples shown are typical of cabinets available in that style.
- Stiles and rails are 1 1/2" material unless otherwise specified.

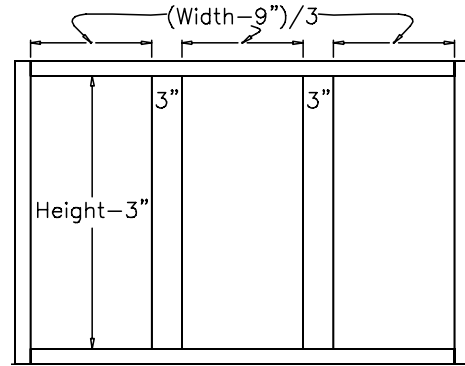
Single/Butt Door Cabinet



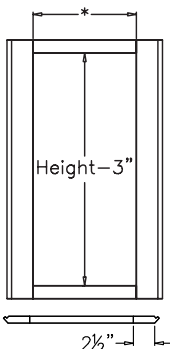
Two Door Cabinet



Three Door Cabinet



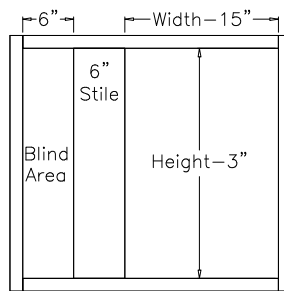
Corner Wall Cabinet



* CW21 = 8" opening
CW24 = 12" opening
CW27 = 12" opening

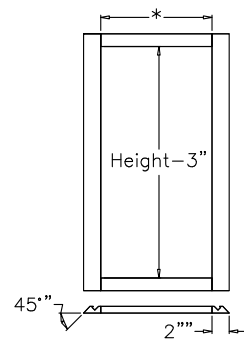
see W19 for more details

Blind Wall Cabinet



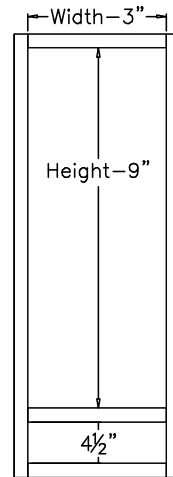
see W25 for more details

Diagonal End Wall Cabinet



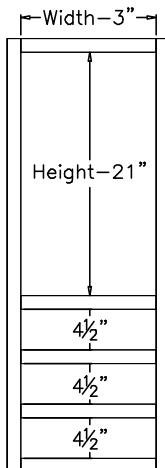
* DEW12 = 13" opening
DEW15 = 17 3/16" opening
see W34 for more details

Wall Drawer Cabinet

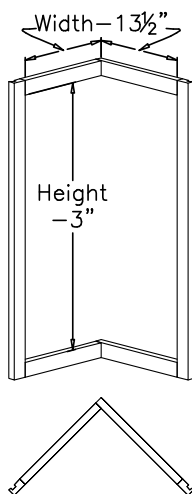


see W37 for more details

Drawer Wall Cabinet-3

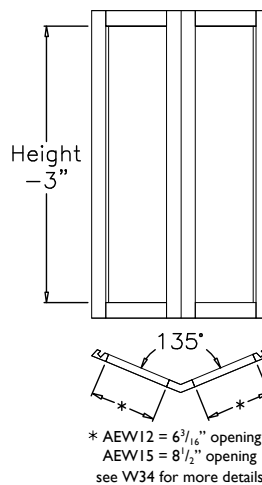


Wall Easy Reach Cabinet

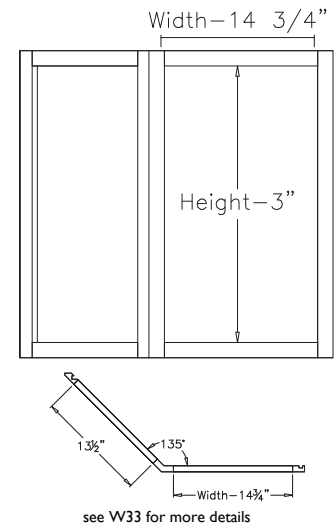


see W22 for more details

Angle End Wall Cabinet

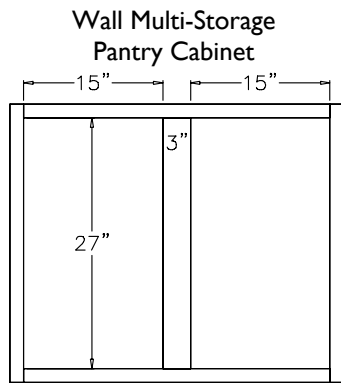


Wall Diagonal End Cabinet

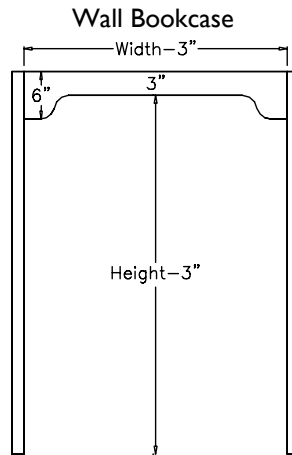


see W33 for more details

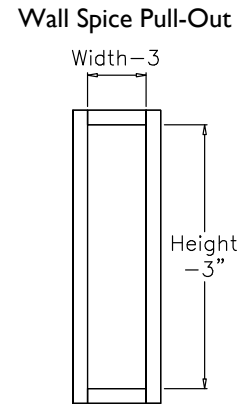
STANDARD WALL CABINET OPENING INFORMATION (CONT)



see W35 for more details



see W36 for more details



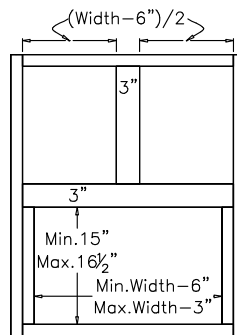
see W40 for more details

Top openings for microwave cabinets:

Wall Microwave Cabinet
with standard micro opening: 15"
with custom oven opening:
30" - micro height - 6"

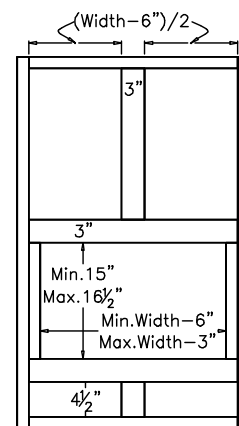
Wall Microwave Cabinet With Drawer
with standard micro opening:
Height - 21"
with custom oven opening:
Height - micro height - 6"

Wall Microwave Cabinet



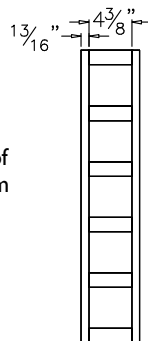
see W32 for more details

Wall Microwave Cabinet with Drawer



see W32 for more details

Wine Rack - Vertical



30" High Wine Rack shown
see W41 for more details

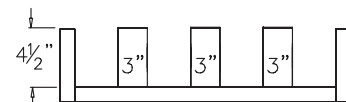
Openings for Vertical Wine Racks:

(Height - (1 1/2" X number of dividers and top and bottom rail)) / number of openings

Openings for Horizontal Wine Racks:

(Width - (3" X number of dividers) - 3" for left and right stile) / number of openings

Apothecary Drawers and Wine Rack - Horizontal



30" Wide Wine Rack shown
see W41 for more details

STANDARD BASE CABINETS

GENERAL INFORMATION

- Base cabinets are 24" deep and 34¹/₂" high with a 4¹/₂" high, 3" deep toe kick, unless otherwise noted.
- Desk base cabinets are 21" deep and 29" high with a 4¹/₂" high, 3" deep toe kick, unless otherwise noted.
- Base cabinets have interiors drilled for shelving that is 3³/₄", half depth and fully adjustable. Full depth shelves are available (See page A18).
- All cabinet interiors are covered with a maple vinyl, unless otherwise noted.
- Finished exposed end panels must be specified unless otherwise noted. Add \$72 list price for each finished side.
- When ordering custom size (or non-catalog) cabinetry, one dimension, either height or width, must be 42" or less due to manufacturing constraints.

OPTIONS

- Finished interiors are available on any base cabinet, add \$474 to the list price of the cabinet (See page A18 for more details).
- Pull-out trays are available and may be ordered separately, but will be factory installed.
- 12" deep bases are available at no extra charge (will include a full depth shelf).
- Factory installed soft close full extension slides are standard on all drawers and roll out trays.
- Soft Close is available on any door, add \$26 per door to the list price of the cabinet (See page A25 for more details).
- Inverted cabinets are available at no charge, please specify.

STANDARD MODIFICATION INFORMATION

Modification	Charge	Maximum
Depth	<ul style="list-style-type: none"> • List Price + 25% <i>only</i> available in 3" increments (min. 12"). 	27"
Height	<ul style="list-style-type: none"> • If a 3" increment, use the price of the next tallest cabinet. • If <i>not</i> a 3" increment, use the price of the next tallest cabinet of the same width and add 25%. • If there is no next tallest cabinet add 25% to the tallest cabinet of the same width. 	60"
Width	<ul style="list-style-type: none"> • If a 3" increment, use the price of the next widest cabinet of the same height. • If <i>not</i> a 3" increment, List Price + 25% ~ or ~ use extended stiles (See page A9 for details). • If there is no next widest cabinet, add 25% to the widest cabinet of the same height. 	48" (with extended stiles, can be wider)

Please Note: If your application does *not* fit the above parameters, please call Pioneer's Customer Service Department to check on availability and pricing.

- **Box Only modification** 60% of the list price of the cabinet, includes shelves and drawers when applicable.
- **Front Only modification** 75% of the list price of the cabinet. Includes the face frame and door.
- **Standard modifications** are *not* available on all cabinets. See the general notes for each cabinet to see what standard modifications are *not* available. If the standard modification desired is *not* available, the cabinet may be available but will require a Computer Aided Design (CAD) Shop Note drawn by Pioneer (see below).

CUSTOM MODIFICATION INFORMATION

- All custom cabinets will be subject to a \$221 Shop Note fee, unless you can supply a Pioneer drawn (CAD) copy of a Shop Note, for that exact cabinet, from a previous order.
- Call Pioneer's Customer Service department for quotes on special items not listed in this binder.

BASE CABINET SPECIFICATIONS

STANDARD BASE CABINET CONSTRUCTION INFO

Back

$\frac{1}{2}$ " engineered wood with a maple vinyl interior - installed in a dado in the side panels and is the full height of the cabinet. Also has a $\frac{5}{16}$ " x $3\frac{1}{2}$ " nailer at the top and bottom.

Corner Blocks

$\frac{3}{4}$ " solid wood corner block.

Drawer Box

$\frac{3}{4}$ " solid maple dovetailed dadoed to accept $\frac{1}{4}$ " plywood veneer covered bottom.

Face frame

$\frac{3}{4}$ " hardwood of choice pocket screwed together.

Toe kick

3" deep and $4\frac{1}{2}$ " high. Requires a decorative toe kick overlay.

Bottom

$\frac{1}{2}$ " engineered wood with a maple vinyl interior - installed in a dado in the side panels and face frame.

Side

$\frac{1}{2}$ " engineered wood with a maple vinyl interior - dadoed for the bottom and back, installed in a dado in the face frame.

Finished sides will be $\frac{1}{2}$ " engineered wood with a 2 mil thick veneer of the selected species, finished to match.

Adjustable Shelves

$\frac{3}{4}$ " engineered wood with maple vinyl and edgebanded - adjustable with plastic shelf clips. (See cabinet details for number and location of shelves and exceptions.)

PLYWOOD BASE CABINET CONSTRUCTION INFO

Back

Flush $\frac{1}{2}$ " plywood with a UV coated white hardwood maple veneer interior - installed into a dado in the side panels and is the full height of the cabinet.

Corner Blocks

$\frac{3}{4}$ " solid wood corner block.

Drawer Box

$\frac{3}{4}$ " solid maple dovetailed dadoed to accept $\frac{1}{4}$ " plywood veneer covered bottom.

Face frame

$\frac{3}{4}$ " hardwood of choice pocket screwed together.

Toe kick

3" deep and $4\frac{1}{2}$ " high. Requires a decorative toe kick overlay.

Bottom

$\frac{1}{2}$ " plywood with a UV coated white hardwood maple veneer interior - installed into a dado in the side panels and the face frame.

Side

$\frac{1}{2}$ " plywood with a UV coated white hardwood maple veneer interior - dadoed for the top, bottom and back, installed into a dado in the face frame.

Finished sides will be $\frac{1}{2}$ " plywood with a 2 mil thick veneer exterior of the selected species, finished to match.

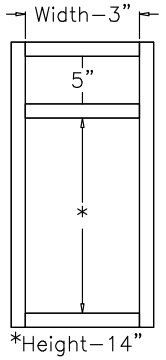
Adjustable Shelves

$\frac{3}{4}$ " plywood with a UV coated white hardwood maple veneer and edgebanded - adjustable with plastic shelf clips. (See cabinet details for number and location of shelves and exceptions).

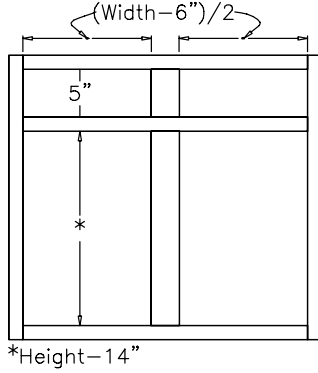
STANDARD BASE CABINET OPENING INFORMATION

- Openings on standard Pioneer base cabinets are 3" smaller than the overall size of the cabinet.
- See the information below for exact opening specifications. Examples shown are typical of cabinets available in that style. Standard 4 1/2" toe is included in height but is not shown in diagrams below.
- Stiles and Rails are 1 1/2" hardwood unless otherwise specified.

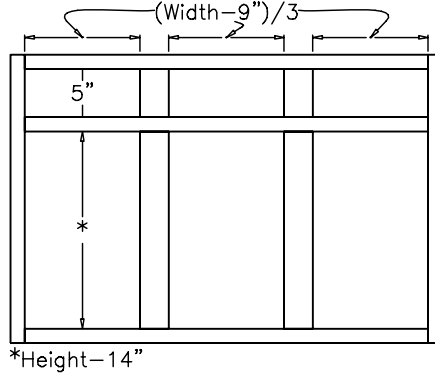
Single/Butt Door Cabinet



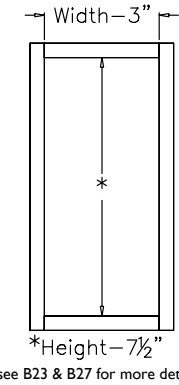
Two Door Cabinet



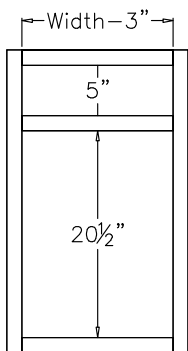
Three Door Cabinet



FHD, Tray Base and Base Spice Pull-out

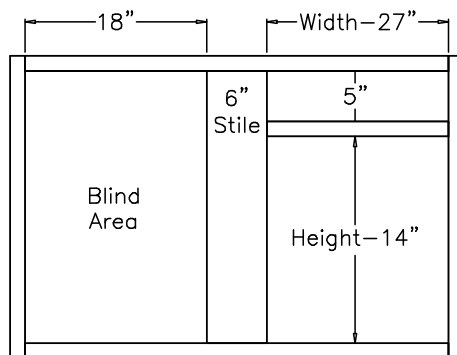


Trash Can Bases



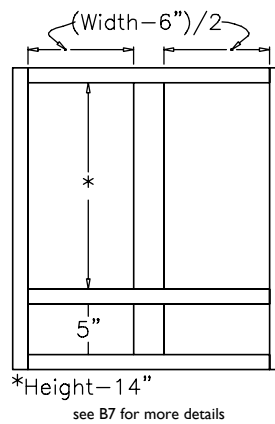
see B24 for more details

Blind Base Cabinet

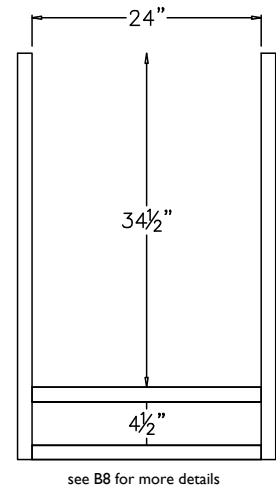


see B18 for more details

Inverted Base

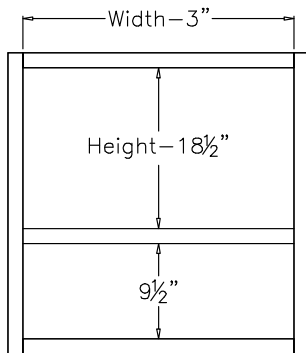


Base Dishwasher Cabinet

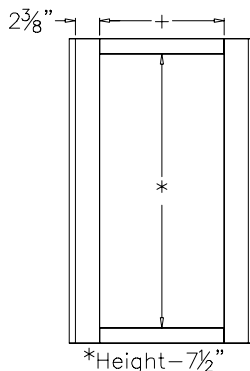


Diagonal BLS, Diagonal BEZR, Corner Diagonal Front and Corner Diagonal Sink Base

Base Microwave Cabinet



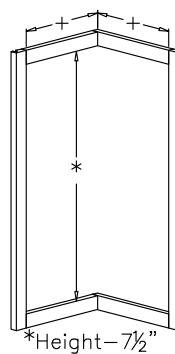
see B8 for more details



- + DBLS36S = 12" opening
- + DBEZR33 = 7 1/4" opening
- + DBEZR36 = 12" opening
- + CDF or CDSB
- + 36 = 12" opening
- + 39 = 16 3/16" opening
- + 42 = 20 1/2" opening

see B21, B22, B23 and B25 for more details

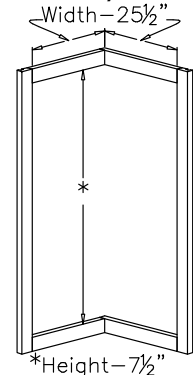
Base Lazy Susans



- + BLS33 = 7 1/2" opening
- + BLS36 = 10 1/2" opening (all variations except Diagonal BLS)

see B21 for more details

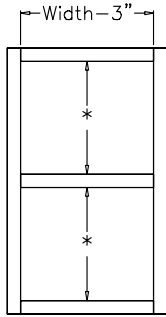
Base Easy Reach



see B22 for more details

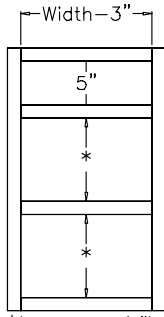
STANDARD BASE CABINET OPENING INFORMATION (CONT)

2 Drawer Base and
2 Drawer Pasta Bin



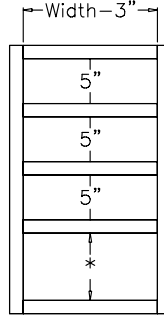
$*(\text{Height}-9'')/2$
4 Drawer Pasta Bin width opening is $(\text{Width}-6'')/2$
see B16 & B17 for more details

3 Drawer Base



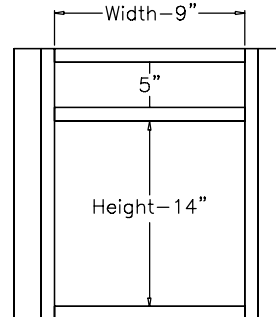
$*(\text{Height}-15\frac{1}{2}'')/2$
see B13 for more details

4 Drawer Base



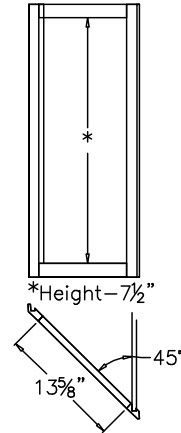
$*\text{Height}-27''$
see B13 for more details

Clipped Corner Bases



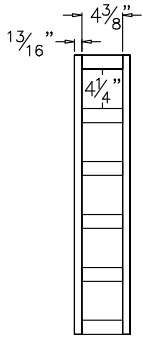
See the 3 and 4 Drawer Base for their respective height opening sizes
see B10, B14 & B15 for more details

Base End Cabinet



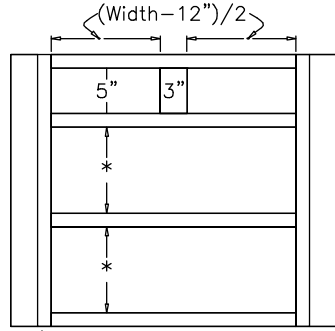
see B25 for more details

Apothecary
Drawer Base and
Base Wine Rack



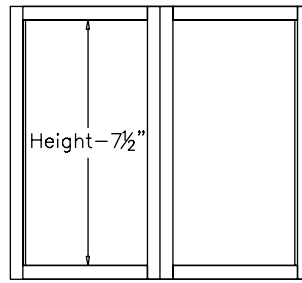
see B26 for more details

3 Drawer Split-top Drawer Base
with Clipped Corners



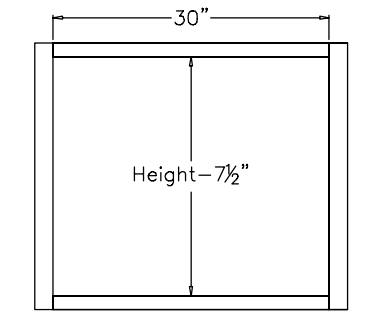
$*(\text{Height}-15\frac{1}{2}'')/2$
See the 4 Drawer Base for that cabinets' height openings
see B15 & B16 for more details

Angle End Base



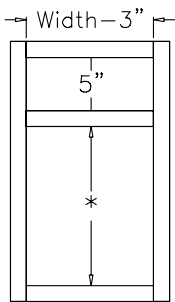
see B26 for more details

Diagonal End Base



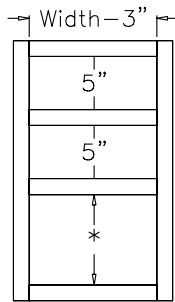
see B26 for more details

Desk Base Cabinet and
Desk File Drawer Base



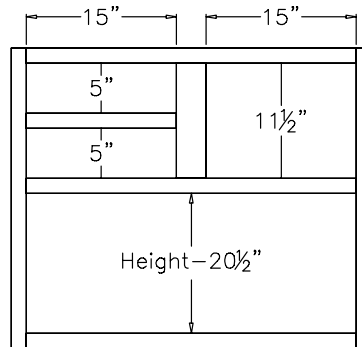
see B28 & B29 for more details

Desk Drawer
Base Cabinet



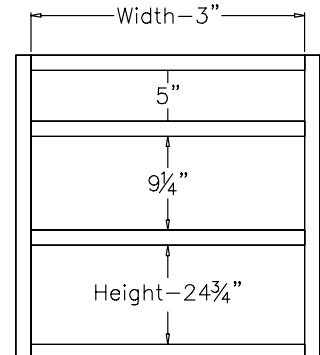
see B28 for more details

Chef Baking Center Cabinet



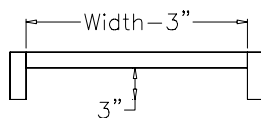
see B24 for more details

2 Drawer Base with
Warming Drawer



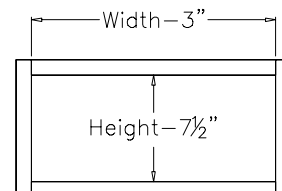
see B16 for more details

Keyboard Pull Out and
Pencil Make Up
Drawer



see B29 for more details

Bench Drawer
Base Cabinet



see B30 for more details

STANDARD TALL CABINETS

GENERAL INFORMATION

- Tall cabinets are available in standard heights of 84", 90" & 96". Custom heights may be ordered see Standard Modifications below.
- Tall cabinets over 84" high will have 4 1/2" high toe kick shipped loose unless requested otherwise. The grain pattern on finished side panels will *not* match the grain pattern on loose toe platforms.
- Tall cabinets are available in 12" & 24" depths standard, unless otherwise noted.
- Tall cabinets have interiors drilled for shelving that is 3/4" and fully adjustable.
- All cabinet interiors are covered with a maple vinyl, unless otherwise noted.
- Finished exposed end panels must be specified unless otherwise noted. Add \$144 list price for each finished side.
- Butt doors are standard on all tall cabinets that are 27"-36" wide and a no charge option on 24" wide.
- When ordering custom size (or non-catalog) cabinetry, one dimension, either height or width, must be 42" or less due to manufacturing constraints.

OPTIONS

- Tray kits are optional and will be factory installed (See page A18 for more details).
- Finished interiors are available on any tall cabinet, add \$582 to the list price of the cabinet (See page A18 for more details).
- Factory installed soft close full extension slides are standard on all drawers and roll out trays.
- Inverted cabinets are available at no charge and the cross rail dividing the two sections will change to 2". If the doors on the inverted cabinet need to line up with doors on an adjoining cabinet, please specify.
- Soft Close is available on any door, add \$26 per door to the list price of the cabinet (See page A25 for more details).

STANDARD MODIFICATION INFORMATION

Modification	Charge	Maximum
Depth	<ul style="list-style-type: none"> • List Price + 25% Only available in 3" increments. 	27"
Height	<ul style="list-style-type: none"> • If a 3" increment, use the price of the next tallest cabinet. • If not a 3" increment, use the price of the next tallest cabinet of the same width + 25%. • If there is no next tallest cabinet add 25% to the tallest cabinet of the same width. 	96" Over 96" add 35% up to a maximum of 108"
Width	<ul style="list-style-type: none"> • If a 3" increment, use the price of the next widest cabinet of the same height. • If not a 3" increment, List Price + 25% ~ or ~ use extended stiles (See page A9 for details). • If there is no next widest cabinet, add 25% to the widest cabinet of the same height. 	36" (with extended stiles, can be wider)

Please Note: If your application does not fit the above parameters, please call Pioneer's Customer Service Department to check on availability and pricing.

- **Box Only modification** 60% of the list price of the cabinet, includes shelves and drawers when applicable.
- **Front Only modification** 75% of the list price of the cabinet, includes the face frame and door.
- **Standard modifications** are *not* available on all cabinets. See the general notes for each cabinet to see what standard modifications are *not* available. If the standard modification desired is *not* available, the cabinet may be available but will require a Computer Aided Design (CAD) Shop Note drawn by Pioneer (see below).

CUSTOM MODIFICATION INFORMATION

- All custom cabinets will be subject to a \$221 Shop Note fee, unless you can supply a Pioneer drawn (CAD) copy of a Shop Note, for that exact cabinet, from a previous order.
- Call Pioneer's Customer Service department for quotes on special items not listed in this binder.

TALL CABINET SPECIFICATIONS

STANDARD TALL CABINET CONSTRUCTION

Back
 $\frac{1}{2}$ " engineered wood with a maple vinyl interior - installed in a dado in the side panels and is the full height of the cabinet. Also has a $\frac{5}{16}$ " x $3\frac{1}{2}$ " installation nailer at the top, bottom and at the divider floor.

Top and Floor
 $\frac{1}{2}$ " engineered wood with a maple vinyl interior - installed in a dado in the side panels and face

Face frame
 $\frac{3}{4}$ " hardwood of choice pocket screwed together.

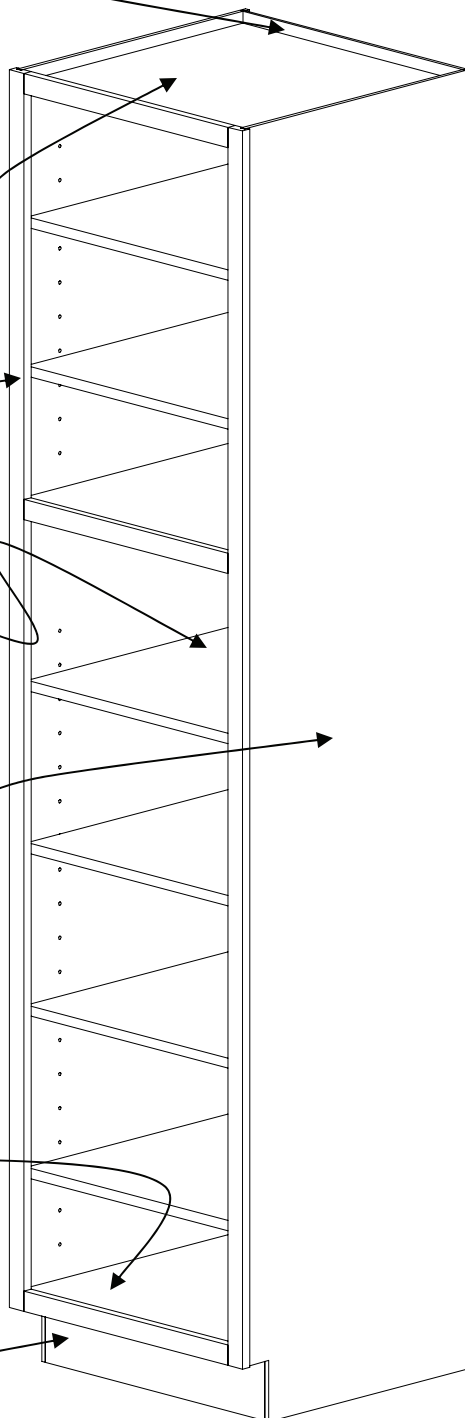
Adjustable Shelves
 $\frac{3}{4}$ " engineered wood with maple vinyl, edgebanded - adjustable with plastic shelf clips (see cabinet details for number and location of shelves).

Side
 $\frac{1}{2}$ " engineered wood with a maple vinyl interior - dadoed for the top, bottom, divider floor and back, installed in a groove in the face frame.

Finished sides will be $\frac{1}{2}$ " engineered wood with a 2 mil thick veneer of the selected species, finished to match.

Bottom
 $\frac{1}{2}$ " engineered wood with a maple vinyl interior - installed in a dado in the side panels and face frame.

Toe Kick
 3" deep and $4\frac{1}{2}$ " high, can be loose or attached and requires a decorative toe kick overlay.



PLYWOOD TALL CABINET CONSTRUCTION

Back
 Flush $\frac{1}{2}$ " plywood with a UV coated white hardwood maple veneer interior - installed into a dado in the side panels and is the full height of the cabinet.

Top and Floor
 $\frac{1}{2}$ " plywood with a UV coated white hardwood maple veneer interior and exterior - installed into a dado in the side panels and the face frame.

Face frame
 $\frac{3}{4}$ " hardwood of choice pocket screwed together.

Adjustable Shelves
 $\frac{3}{4}$ " plywood with a UV coated white hardwood maple veneer and edgebanded - adjustable with plastic shelf clips. (See cabinet details for number and location of shelves and exceptions).

Side
 $\frac{1}{2}$ " plywood with a UV coated white hardwood maple veneer interior - dadoed for the top, bottom and back, installed into a dado in the face frame.

Finished sides will be $\frac{1}{2}$ " plywood with a 2 mil thick veneer exterior of the selected species, finished to match.

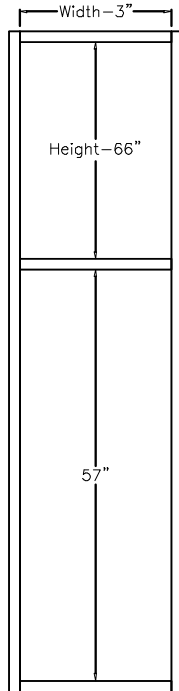
Bottom
 $\frac{1}{2}$ " plywood with a UV coated white hardwood maple veneer interior - installed into a dado in the side panels and the face frame.

Toe Kick
 3" deep and $4\frac{1}{2}$ " high, can be loose or attached and requires a decorative toe kick overlay.

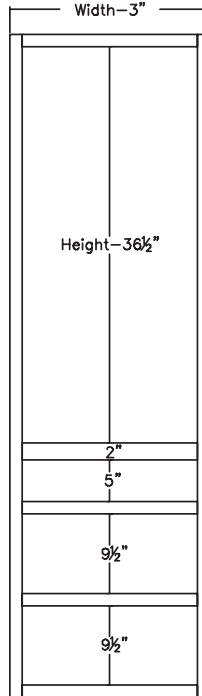
STANDARD TALL CABINET OPENINGS

- Openings on standard Pioneer base cabinets are 3" smaller than the overall size of the cabinet.
- See the information below for exact opening specifications. Examples shown are typical of cabinets available in that style. Standard 4 1/2" toe is included in height but is not shown in diagrams below.
- Stiles and Rails are 1 1/2" hardwood unless otherwise specified.

Single/Butt
Door Cabinet

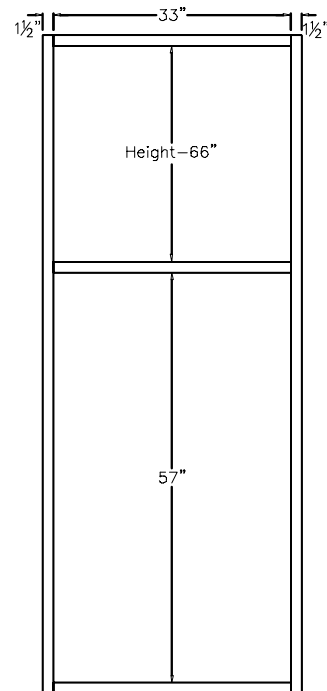


Drawer Pantry
Cabinet



see T8 for more details

Pantry Multi-Storage
Cabinet



see T9 for more details

The oven cabinet pictures are shown with a standard cut-out. When using a custom cut-out, the 9" cross rail changes to 3".

Top openings for oven cabinets:

Single Oven Cabinet

with standard oven opening:
Height - 71"

with custom oven opening:
Height - oven height - 40 1/2"

Single Oven Microwave Cabinet

with standard openings:
Height - 69 1/2"

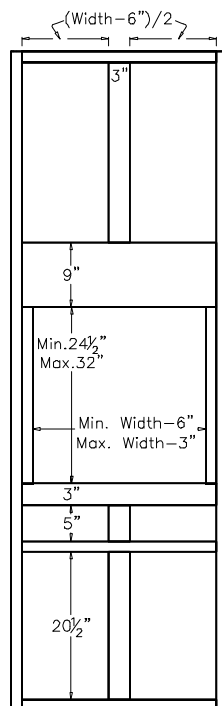
with custom openings:
Height - oven height - micro height - 24"

Single Oven Microwave Cabinet with Warming Drawer

with standard openings:
Height - 71 1/4"

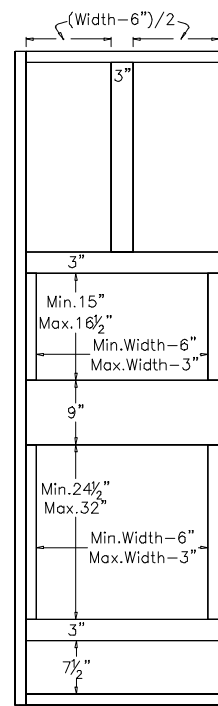
with custom openings:
Height - oven height - micro height - 25 3/4"

Single Oven
Cabinet



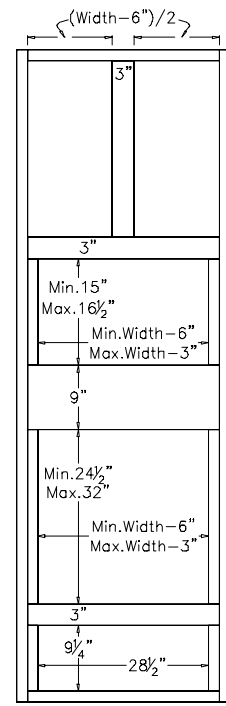
see T10 for more details

Single Oven
Microwave Cabinet



see T11 for more details

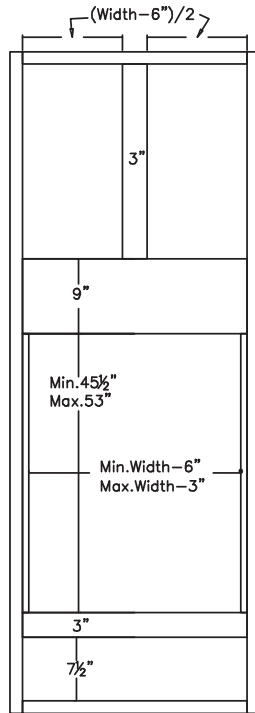
Single Oven Microwave
Cabinet with Warming
Drawer



see T12 for more details

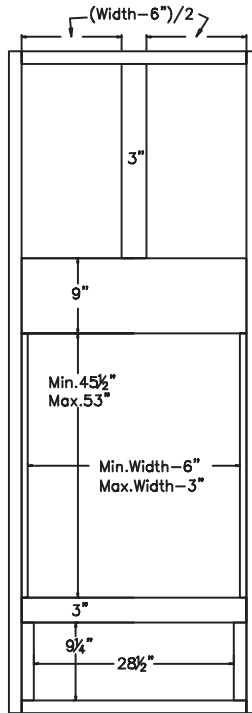
STANDARD TALL CABINET OPENINGS (CONT)

Double Oven Cabinet



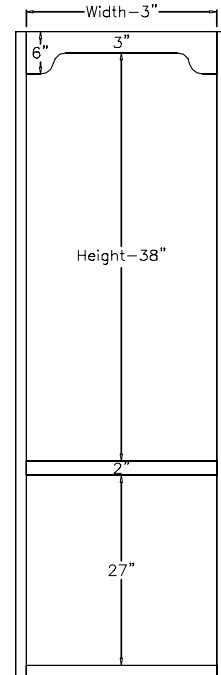
see T13 for more details

Double Oven Cabinet with Warming Drawer



see T14 for more details

Tall Bookcase Cabinet with Doors



see T15 for more details

Top openings for oven cabinets:

Double Oven Cabinet
with standard oven opening:
Height - 72 1/2''

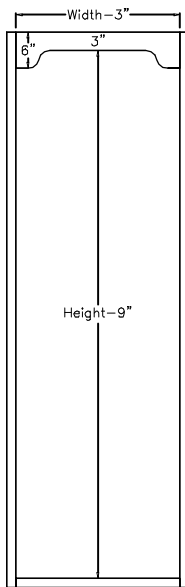
with custom oven opening:
Height - oven height - 21''

Double Oven Cabinet with Warming Drawer

with standard openings:
Height - 74 1/4''

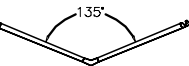
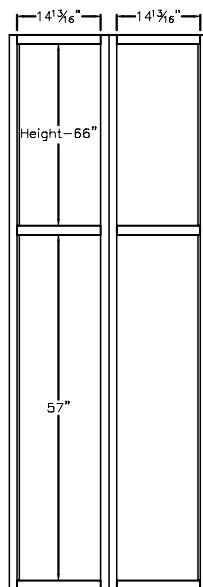
with custom openings:
Height - oven height - 22 3/4''

Tall Bookcase Cabinet



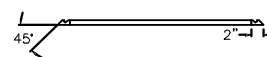
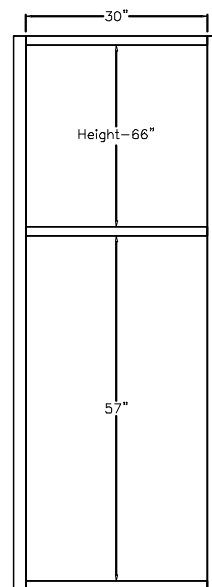
see T16 for more details

Angle End Pantry Cabinet



see T17 for more details

Diagonal End Pantry Cabinet



see T17 for more details

STANDARD VANITY CABINETS

GENERAL INFORMATION

- Vanity cabinets are available in 18" or 21" deep and 33½" high with a 3½" high, 3" deep toe kick unless otherwise noted. Available at 34½" high with a 4½" high toe kick, order as Kitchen Height Vanity and add \$106 to the list price of the cabinet.
- Vanity cabinets have interiors drilled for shelving, where applicable, that is ¾", half depth and fully adjustable.
- All cabinet interiors are covered with a maple vinyl, unless otherwise noted.
- Finished exposed end panels must be specified unless otherwise noted. Add \$72 list price for each finished side.
- When ordering custom size (or non-catalog) cabinetry, one dimension, either height or width, must be 42" or less due to manufacturing constraints.

OPTIONS

- Finished interiors are available on any vanity cabinet, add \$474 to the list price of the cabinet (See page A18 for more details).
- Pull-out trays are available and may be ordered separately, but will be factory installed.
- Factory installed soft close full extension slides are standard on all drawers and roll out trays.
- Soft Close is available on any door, add \$26 per door to the list price of the cabinet (See page A25 for more details).

STANDARD MODIFICATION INFORMATION

Modification	Charge	Maximum
Depth	• List Price + 25%. Available in 3" increments (minimum 12).	27"
Height	<ul style="list-style-type: none"> • If a 3" increment, use the price of the next tallest cabinet. • If not a 3" increment, use the price of the next tallest cabinet of the same width + 25%. • If there is no next tallest cabinet add 25% to the tallest cabinet of the same width. 	42"
Width	<ul style="list-style-type: none"> • If a 3" increment, use the price of the next widest cabinet of the same height. • If <i>not</i> a 3" increment, List Price + 25% ~ or ~ use extended stiles (See page A9 for details). • If there is no next widest cabinet, add 25% to the widest cabinet of the same height. 	60" (with extended stiles, can be wider)

Please Note: If your application does *not* fit the above parameters, please call Pioneer's Customer Service Department to check on availability and pricing.

- **Box Only modification** 60% of the list price of the cabinet, includes shelves and drawers when applicable.
- **Front Only modification** 75% of the list price of the cabinet. Includes the face frame and door.
- **Standard modifications** are *not* available on all cabinets. See the general notes for each cabinet to see what standard modifications are *not* available. If the standard modification desired is *not* available, the cabinet may be available but will require a Computer Aided Design (CAD) Shop Note drawn by Pioneer (see below).

CUSTOM MODIFICATION INFORMATION

- All custom cabinets will be subject to a \$221 Shop Note fee, unless you can supply a Pioneer drawn (CAD) copy of a Shop Note, for that exact cabinet, from a previous order.
- Call Pioneer's Customer Service department for quotes on special items *not* listed in this binder.

VANITY CABINET SPECIFICATIONS

STANDARD VANITY CABINET CONSTRUCTION INFO

Back

$\frac{1}{2}$ " engineered wood with a maple vinyl interior - installed in a dado in the side panels and is the full height of the cabinet. Also has a $\frac{5}{16}$ " x $3\frac{1}{2}$ " nailer at the top and bottom.

Corner Blocks

$\frac{3}{4}$ " solid wood corner block.

Drawer Box

$\frac{3}{4}$ " solid maple dovetailed dadoed to accept $\frac{1}{4}$ " plywood veneer covered bottom.

Face frame

$\frac{3}{4}$ " hardwood of choice pocket screwed together.

Toe kick

3" deep and $3\frac{1}{2}$ " high. Requires a decorative toe kick overlay.

Bottom

$\frac{1}{2}$ " engineered wood with a maple vinyl interior - installed in a dado in the side panels and face frame.

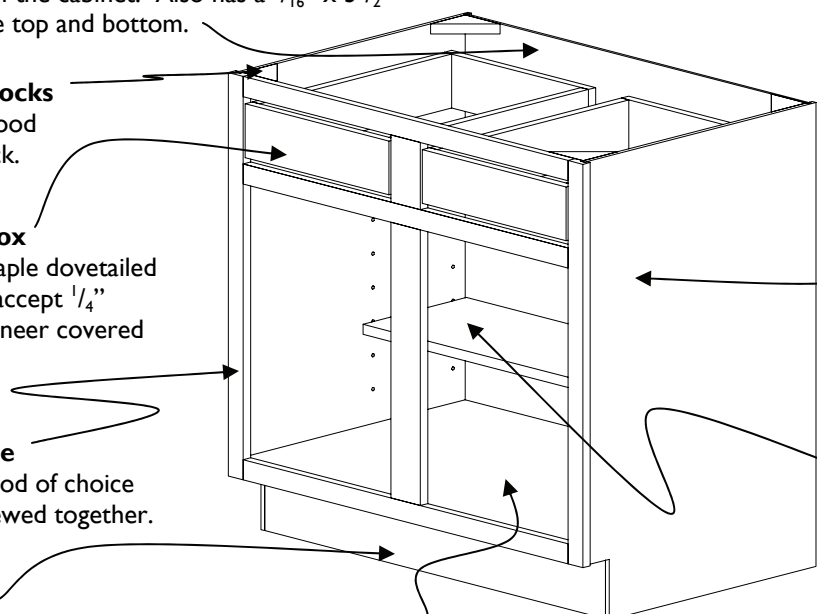
Side

$\frac{1}{2}$ " engineered wood with a maple vinyl interior - dadoed for the bottom and back, installed in a dado in the face frame.

Finished sides will be $\frac{1}{2}$ " engineered wood with a 2 mil thick veneer of the selected species, finished to match.

Adjustable Shelves

$\frac{3}{4}$ " engineered wood with maple vinyl and edgebanded - adjustable with plastic shelf clips. (See cabinet details for number and location of shelves and exceptions.)



PLYWOOD VANITY CABINET CONSTRUCTION INFO

Back

Flush $\frac{1}{2}$ " plywood with a UV coated white hardwood maple veneer interior - installed into a dado in the side panels and is the full height of the cabinet.

Corner Blocks

$\frac{3}{4}$ " solid wood corner block.

Drawer Box

$\frac{3}{4}$ " solid maple dovetailed dadoed to accept $\frac{1}{4}$ " plywood veneer covered bottom.

Face frame

$\frac{3}{4}$ " hardwood of choice pocket screwed together.

Toe kick

3" deep and $3\frac{1}{2}$ " high. Requires a decorative toe kick overlay.

Bottom

$\frac{1}{2}$ " plywood with a UV coated white hardwood maple veneer interior - installed into a dado in the side panels and the face frame.

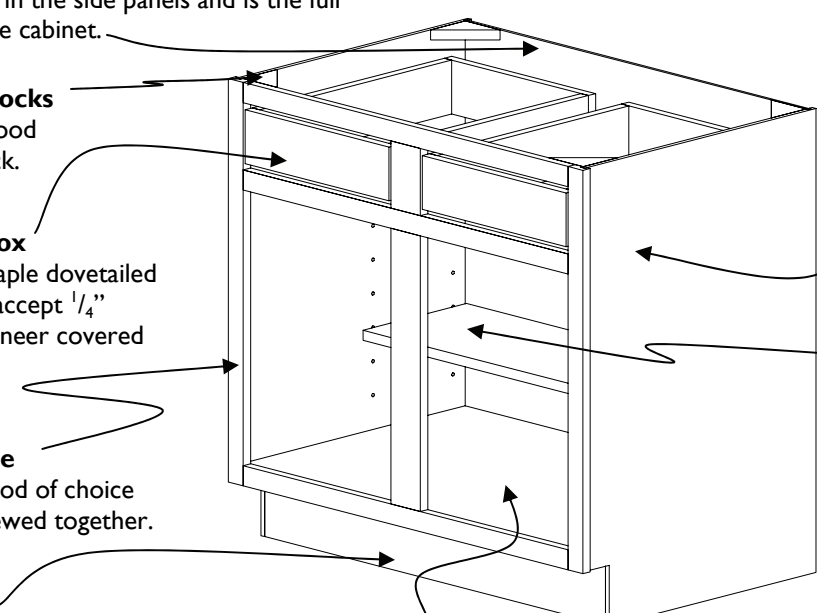
Side

$\frac{1}{2}$ " plywood with a UV coated white hardwood maple veneer interior - dadoed for the top, bottom and back, installed into a dado in the face frame.

Finished sides will be $\frac{1}{2}$ " plywood with a 2 mil thick veneer exterior of the selected species, finished to match.

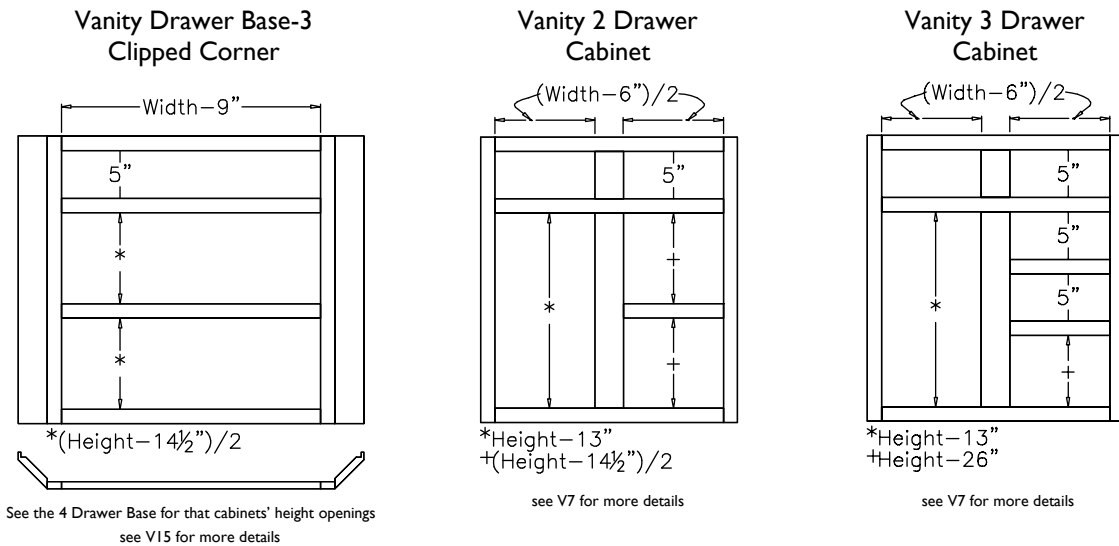
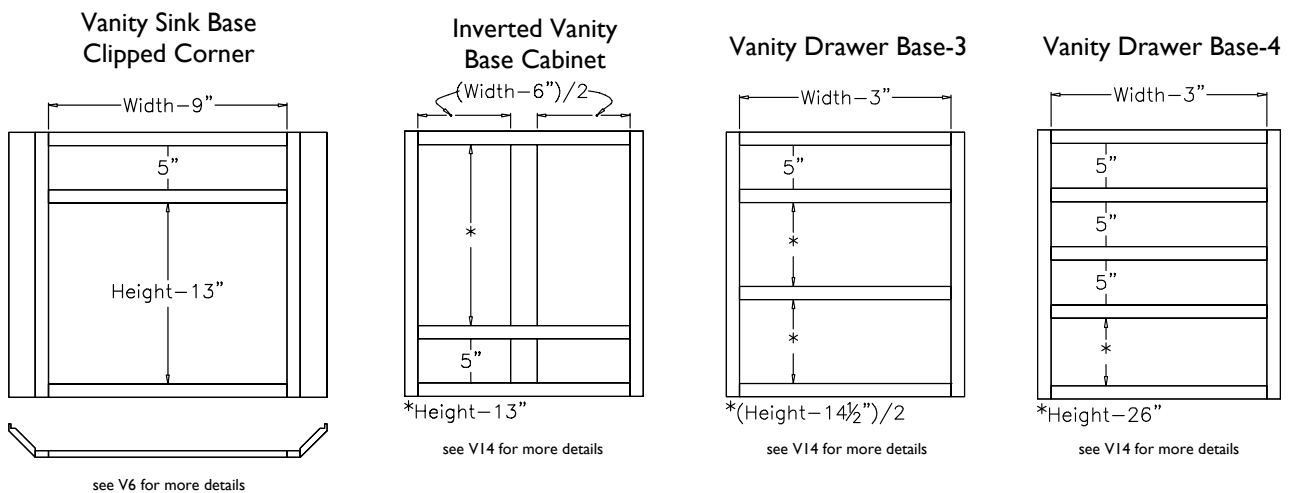
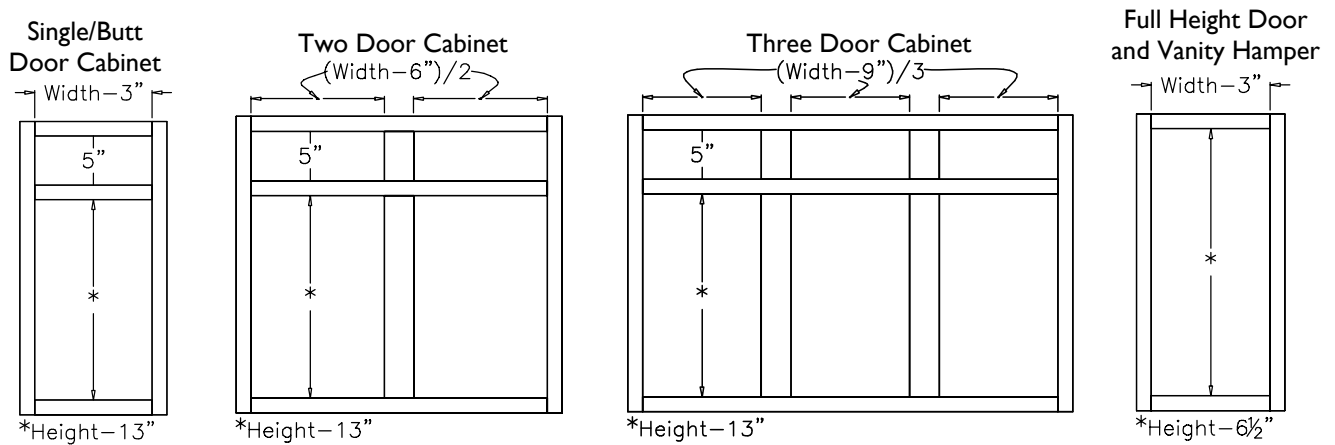
Adjustable Shelves

$\frac{3}{4}$ " plywood with a UV coated white hardwood maple veneer and edgebanded - adjustable with plastic shelf clips. (See cabinet details for number and location of shelves and exceptions).



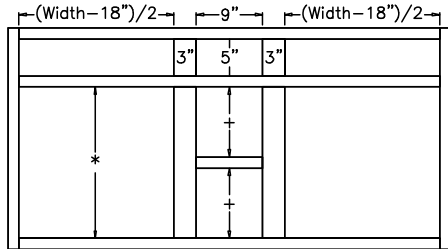
STANDARD VANITY CABINET OPENING INFORMATION

- Openings on standard Pioneer base cabinets are 3" smaller than the overall size of the cabinet.
- See the information below for exact opening specifications. Examples shown are typical of cabinets available in that style. Standard 3 1/2" toe is included in height but is not shown in diagrams below.
- Stiles and Rails are 1 1/2" hardwood unless otherwise specified.



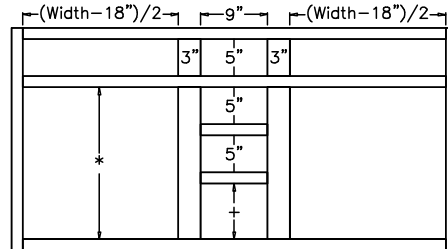
STANDARD VANITY CABINET OPENING INFORMATION (CONT)

Vanity Double Sink Middle Drawer-3



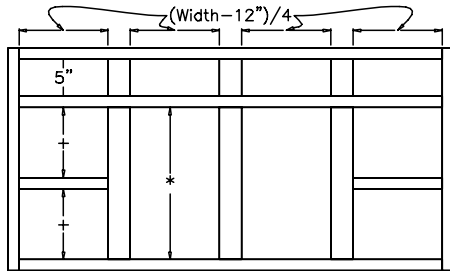
*Height-13''
†(Height-14½'')/2 see V12 for more details

Vanity Double Sink Middle Drawer-4



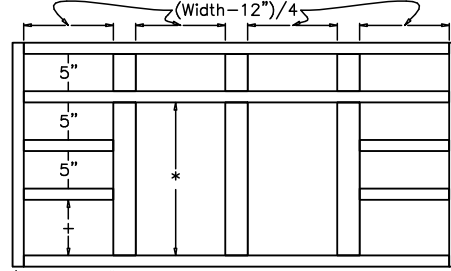
*Height-13''
†Height-26'' see V12 for more details

Vanity Double Sink 4 Drawer



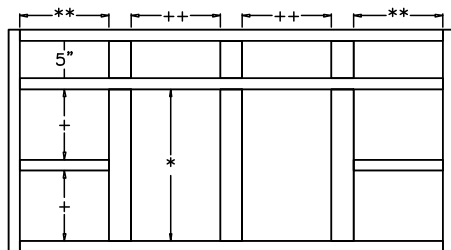
*Height-13''
†(Height-14½'')/2 see V11 for more details

Vanity Double Sink 6 Drawer



*Height-13''
†Height-26'' see V11 for more details

Vanity with 6 Drawers

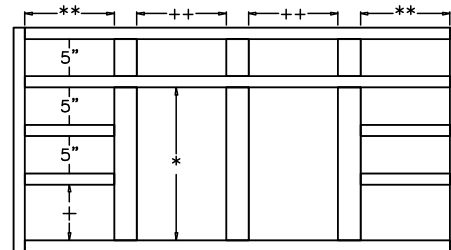


*Height-13''
†(Height-14½'')/2 see V9 for more details

** 9'' (39'' and 42'' cabinets)
(Width-12'')/4 (45'' and wider)

†† Width-30'' (39'' and 42'' cabinets-single opening)
(Width-12'')/4 (45'' and wider)

Vanity with 8 Drawers

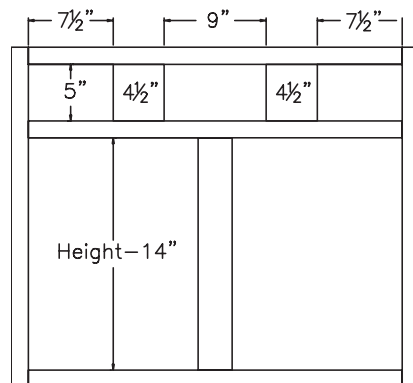


*Height-13''
†Height-26'' see V10 for more details

** 9'' (39'' and 42'' cabinets)
(Width-12'')/4 (45'' and wider)

†† Width-30'' (39'' and 42'' cabinets-single opening)
(Width-12'')/4 (45'' and wider)

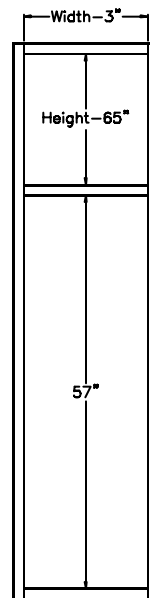
Vanity 36'' Cabinet



There are 18'' between the drawers on this cabinet
see V8 for more details

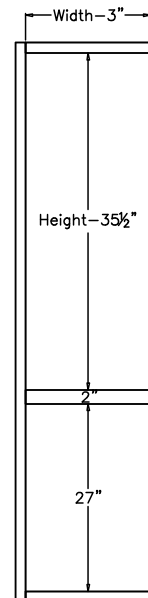
The rest of the VAN cabinets follow the standard opening
rules at the top of page 3.

Vanity Linen Cabinet



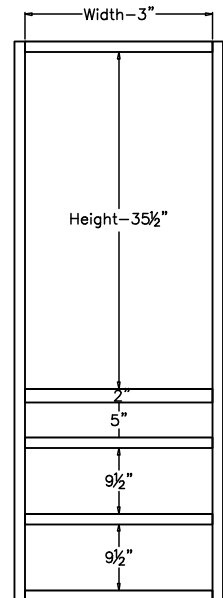
see V16 for more details

Vanity Linen Roll Out



see V20 for more details

Vanity Drawer Linen Cabinet



see V18 for more details